

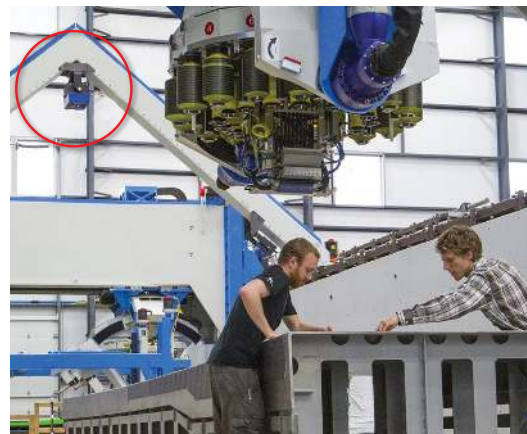
LASERGUIDE SOFTWARE

CONTROL SOFTWARE SOLUTION

EFFICIENT, MULTITASKING CONTROL OF ALL ALIGNED VISION SYSTEMS

PRODUCT DESCRIPTION

LASERGUIDE Software controls the functionality of all Aligned Vision hardware, including LASERGUIDE, LASERVISION, TARGETGUIDE, and touchscreen remotes (both tablet and smartphone sizes of smart mobile devices). LASERGUIDE Software features multitasking capability that efficiently runs multiple jobs using multiple projection/inspection units.



FEATURES AND BENEFITS

Multitasking software

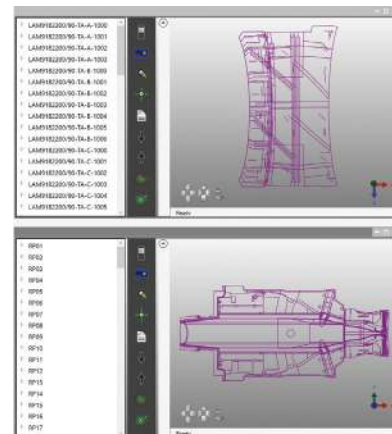
- Independently controls multiple jobs from one computer
- Provides functionality in a single seat of software that would require multiple seats and setups of other laser suppliers' software
- Minimizes equipment and maintenance costs as well as cleanroom footprint

Advanced functionality

- Runs projection, inspection, alignment, process control, kitting, AutoFocus and AutoAim functions
- Automatically populates electronic reports of each build
- Provides easiest file management in the industry

User-friendly interface

- Provides full control of each fabrication job both at the controller and on smart mobile devices (smartphone- and tablet-size touchscreen remotes)
- Reduces time, skill and effort required to accurately and efficiently fabricate each part



SPECIFICATIONS

Data Compatibility	Fibersim, Catia, TruLASER, Verisurf, metrology data and CAD & NC data
Controller	Industrial computer with monitor, keyboard, uninterruptible power supply, wireless access point, ethernet switch
Operating System	Windows
Programming	Import layup sequence; drag-and-drop non-layup steps
User Interface	Foreign language support
Support	3 levels of operator privileges; event logging for statistical analysis
Projectors supported	20 per system
Simultaneous jobs supported	8
Simultaneous active data files	12
Smart mobile devices supported	8
Warranty	2 years
Customer Support	Unlimited free phone and email support for the life of the projector